



SPEC SHEET

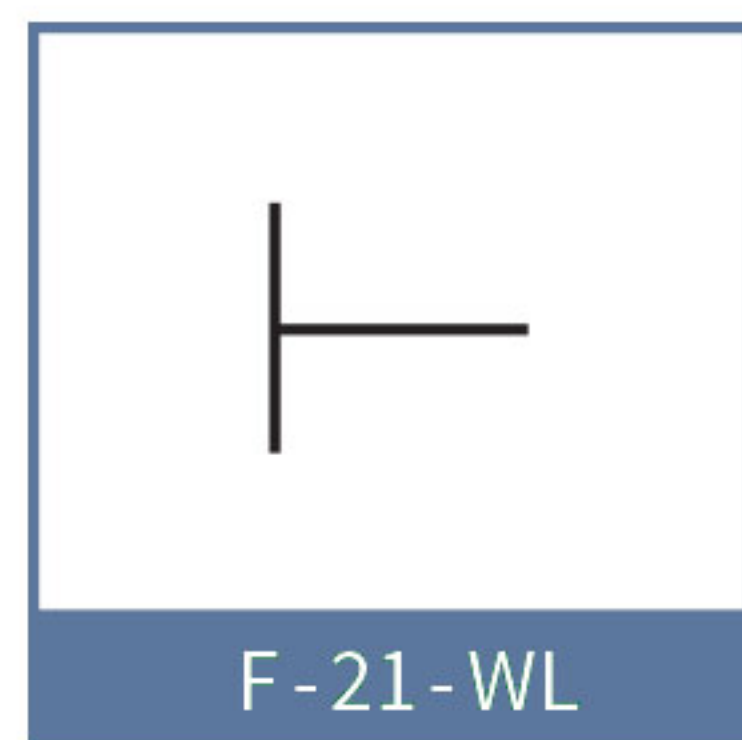
The F & G Cantilever Bases

2 year warranty

(model F & G are both shown)

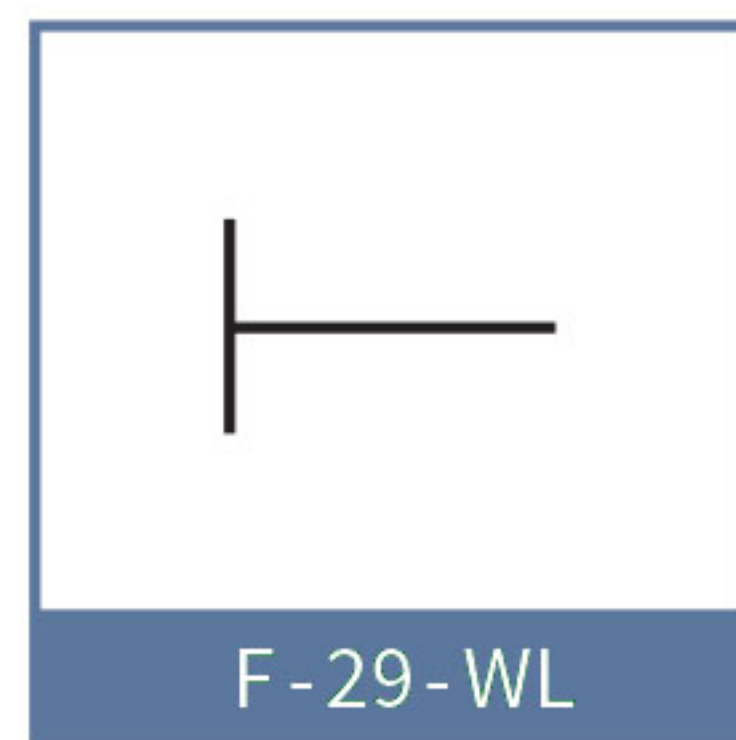
The “F” series cantilever style base utilizes 2” square heavy wall 14 gauge construction with angle support. Black painted finish.

Sizes Available



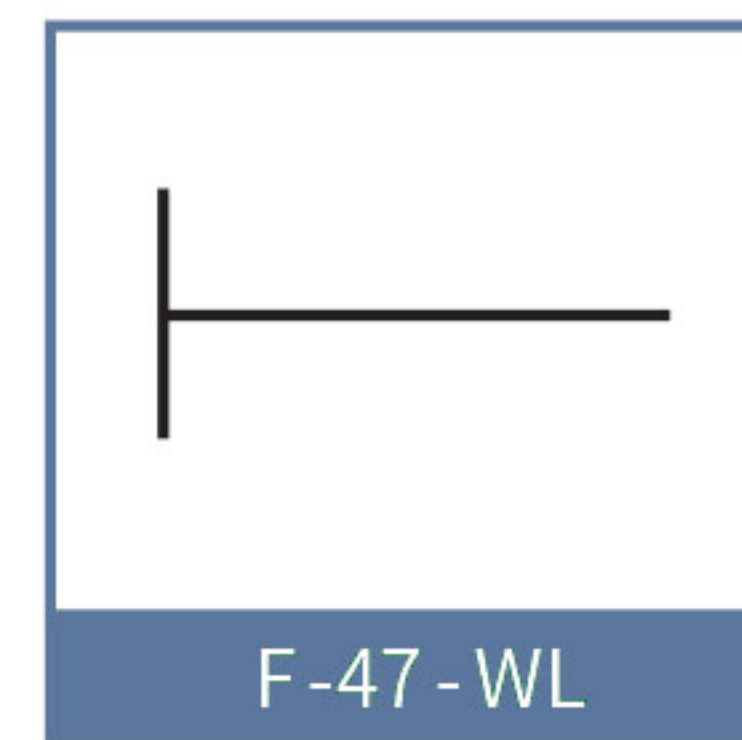
F-21-WL

Top Capacity: 24" - 30"
(16 lbs)



F-29-WL

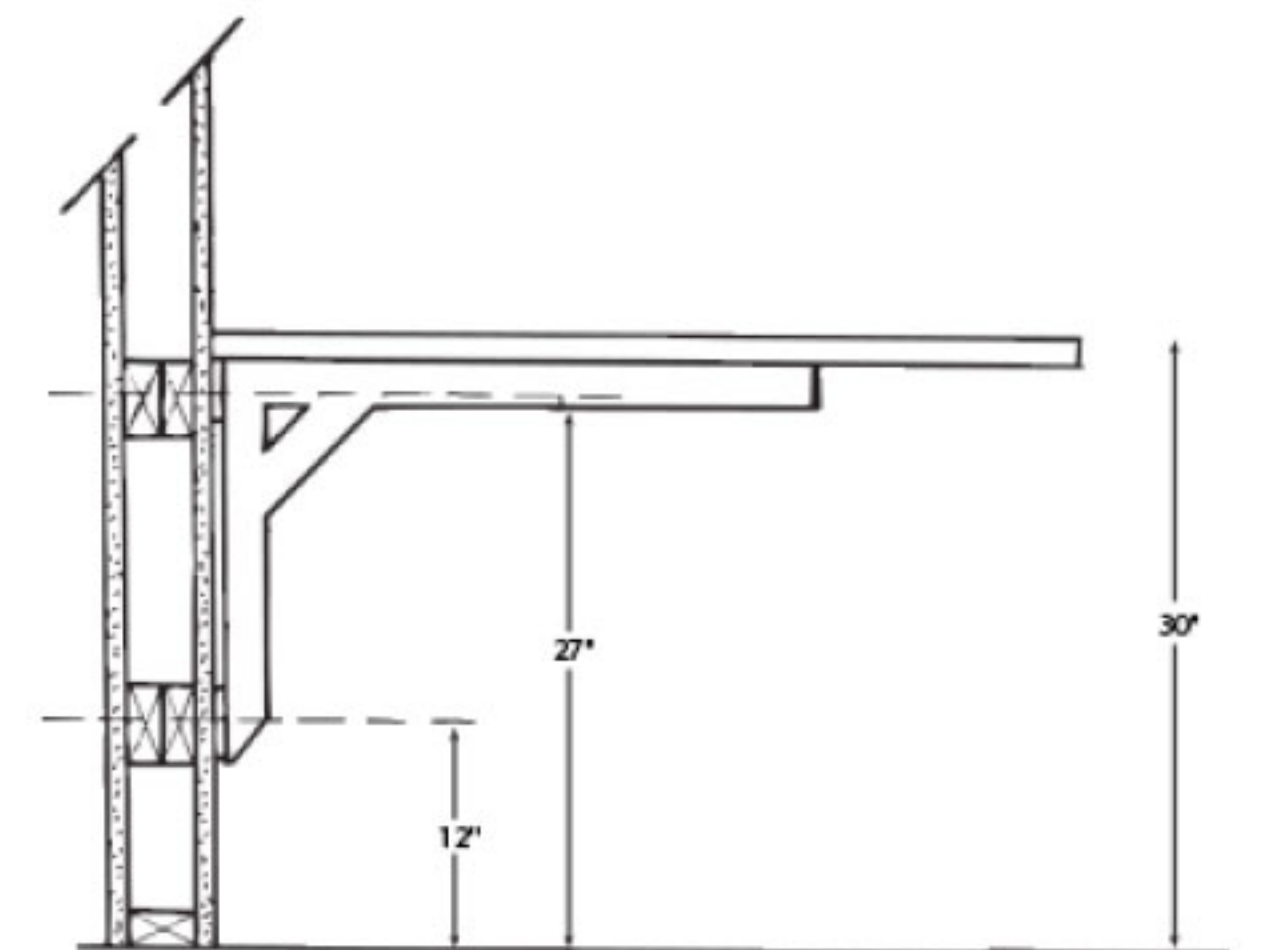
Top Capacity: 36" - 48"
(18 lbs)



F-47-WL

Top Capacity: 54" - 60"
(25 lbs)

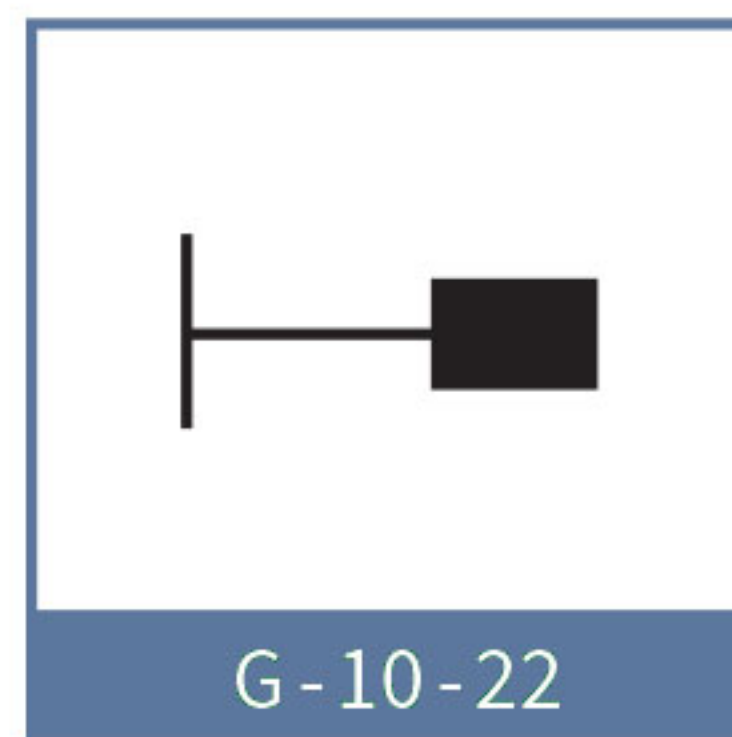
*We recommend wall blocking at 12" and 27" to secure the cantilever.



F-29-WL

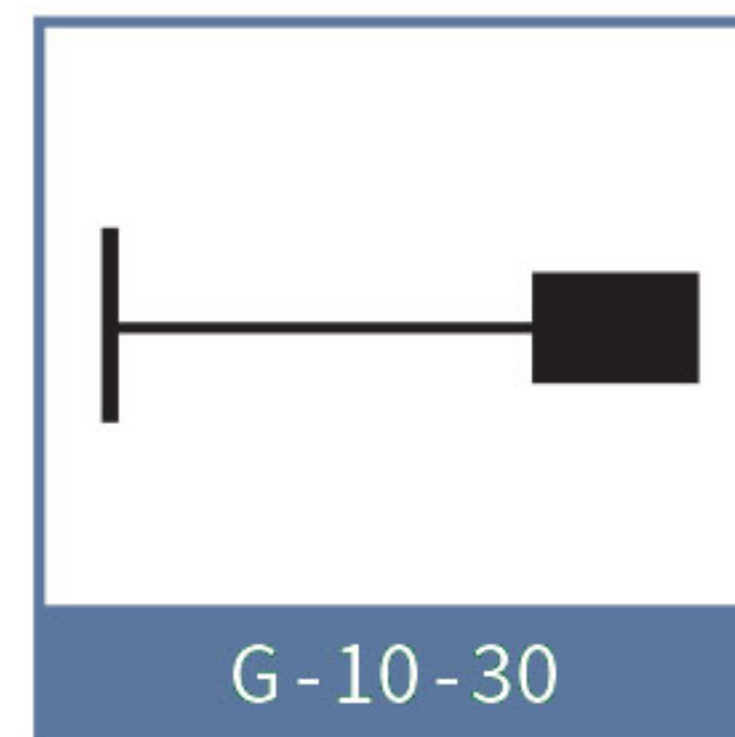
The “G” series cantilever, utilizes 2” square heavy wall construction and includes table mounting bracket. Black painted finish.

Sizes Available



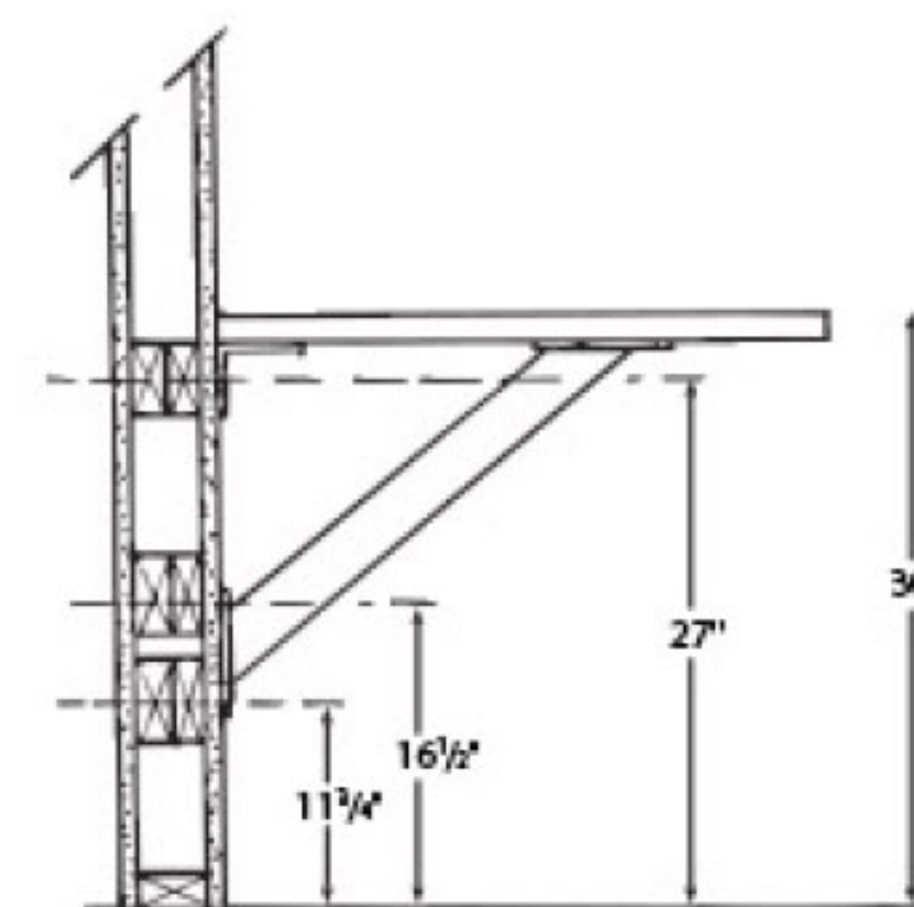
G-10-22

Top Capacity: 24"-30"
(10 lbs)

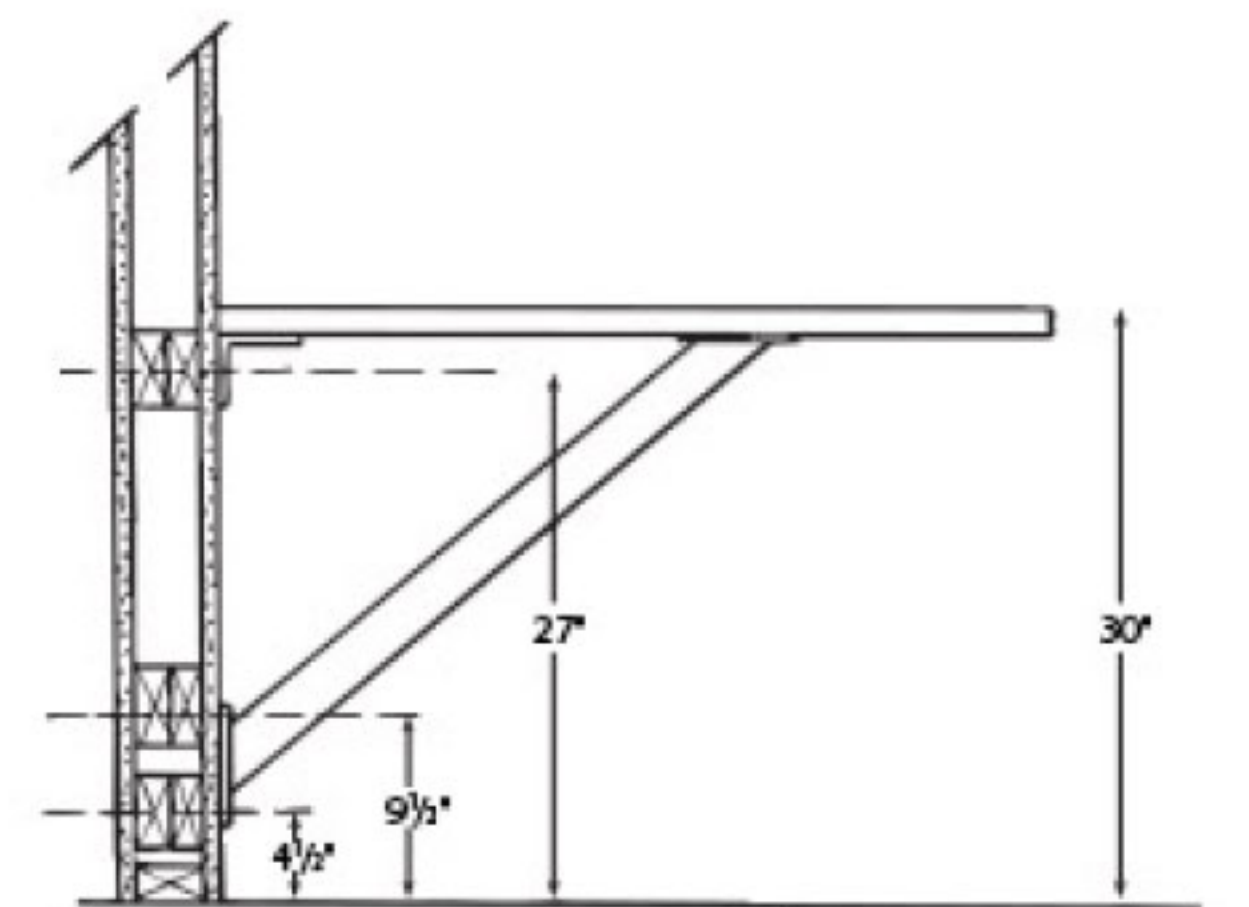


G-10-30

Top Capacity: 36"-54"
(12 lbs)



G-10-22



G-10-30

Questions: If you have any questions, feel free to visit our website for more info or contact our office.